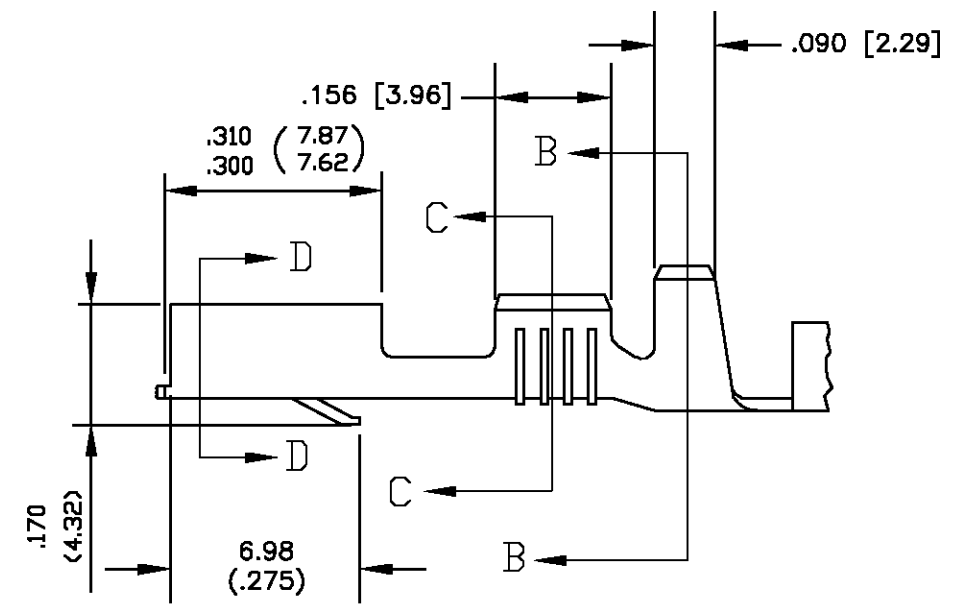
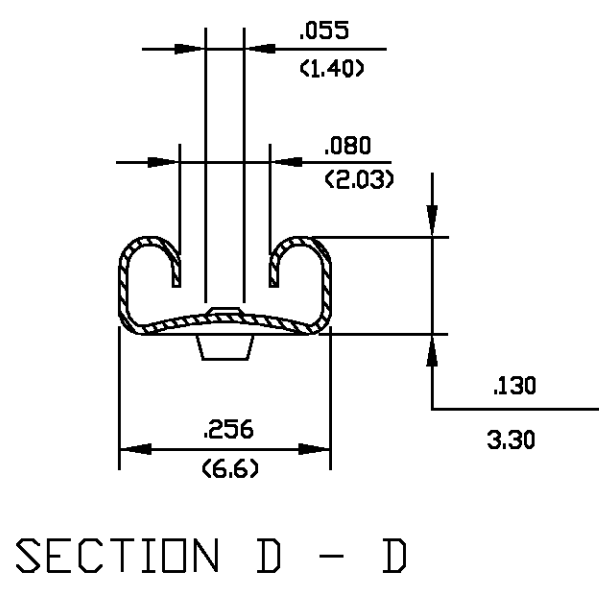
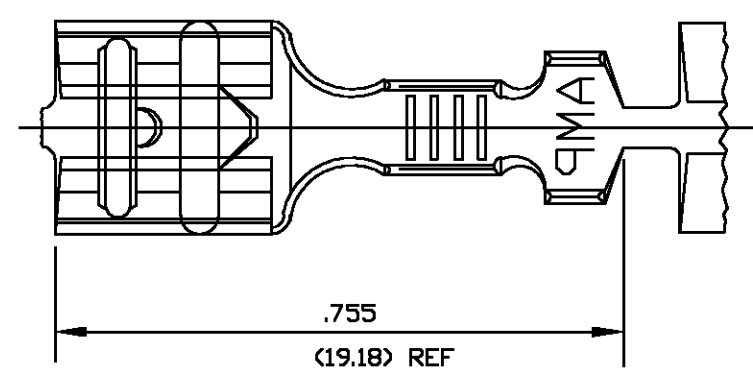
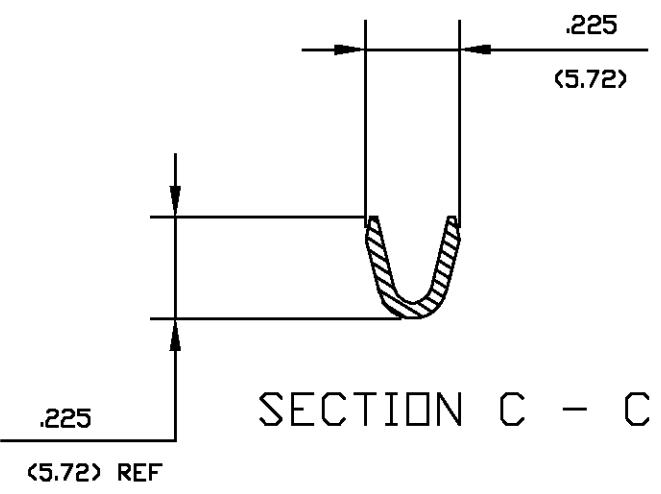
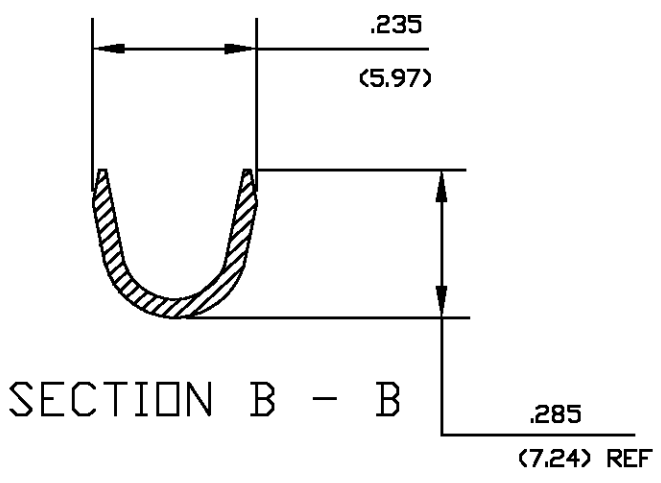


© COPYRIGHT BY TYCO ELECTRONICS CORPORATION. ALL RIGHTS RESERVED.

LOC	DIST	REVISIONS				
P	LTR	DESCRIPTION	DATE	DWN	APVD	
AF	50	H	REV PER 0G3A-0682-02	07NOV02	JR ND	



1. ALL DIMENSIONS ARE IN INCHES (mm).
2. GENERAL TOLERANCES ±.010 (±0.25).



TIN	PH BRZ	156503-4
N O N E	PH BRZ	156503-3
TIN	BRASS	156503-2
N O N E	BRASS	156503-1
FINISH	MATERIAL	AMP P/N

THIS DRAWING IS A CONTROLLED DOCUMENT.		DWN R FLAIG 19SEP02	Tyco Electronics Corporation LICKDALE, PA 17038	
DIMENSIONS: INCHES		CHK N DEIBERT 19SEP2002		
TOLERANCES UNLESS OTHERWISE SPECIFIED:		APVD N DEIBERT 19SEP2002	NAME 250 SERIES FASTIN - FASTON RECEPTACLE	
0 PLC ± - 1 PLC ± - 2 PLC ± - 3 PLC ± - 4 PLC ± - ANGLES ± -		PRODUCT SPEC -	RESTRICTED TO -	
MATERIAL SEE TABLE		APPLICATION SPEC -	SIZE A3	CAGE CODE 00779
FINISH SEE TABLE		WEIGHT -	DRAWING NO 156503	
		CUSTOMER DRAWING	SCALE 1:1	SHEET 1 OF 1